



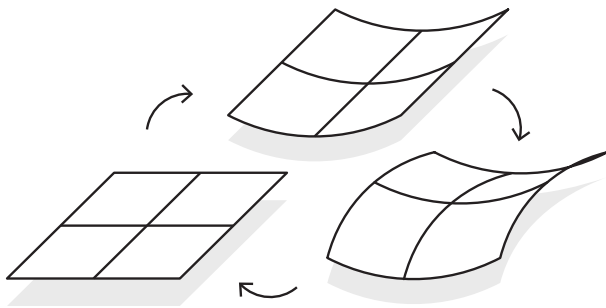
Flat Lap in Solanum™ clad the Brown University Applied Math building.

Flat Lap

The aesthetic appearance of shingle or shake with the benefits of metal, Flat Lap is an easy to install, cost-effective shingle solution available in all Zahner Surfaces. Depending on the material selected and configuration, shadow and lap can play a role in adding depth and character to your facade.

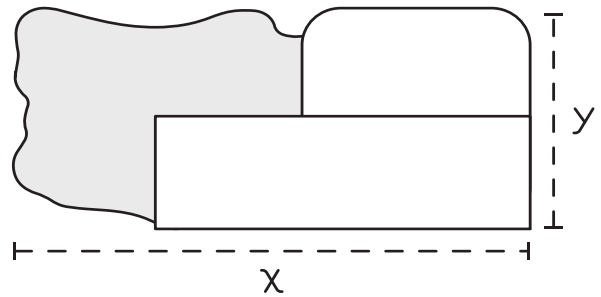
SYSTEM FEATURES

Adaptable



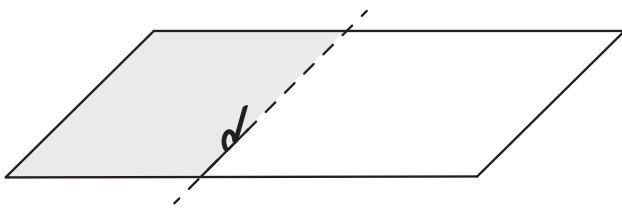
Flat Lap panels easily form to most geometry, including double curvature

Customizable



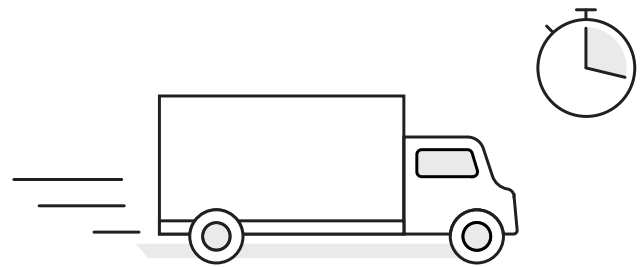
Flat Lap allows for unlimited combinations of varying panel shapes and sizes.

Trimmable



Panels can be field cut to size, improving scheduling and productivity.

Quick



Flat lap requires little upfront engineering, creating shorter lead times.

MATERIAL OPTIONS

Angel Hair[®]
Stainless Steel

Spectura[™]
Steel
Interior Only

Baroque[™]
Zinc

Solanum[™]
Steel

Fuscara[™]
Stainless Steel

Dirty Penny[™]
Copper

Hunter[™]
Zinc

Painted
Aluminum

GB-60[™]
Stainless Steel

Star Blue[™]
Copper

Roano[™]
Zinc

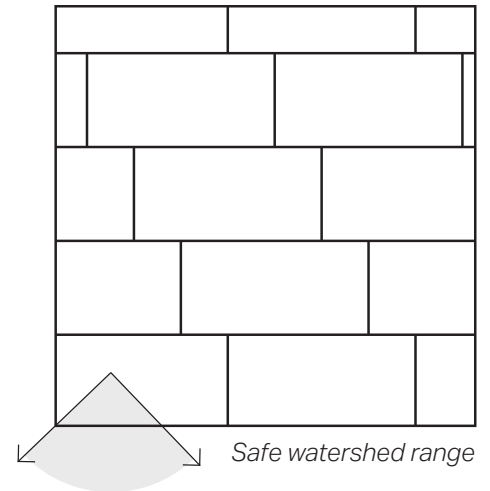
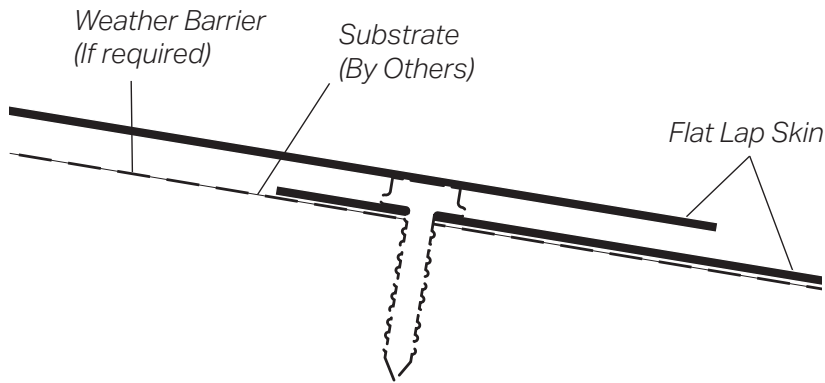
Anodized
Aluminum

Oscura[™]
Blackened Steel
Interior Only

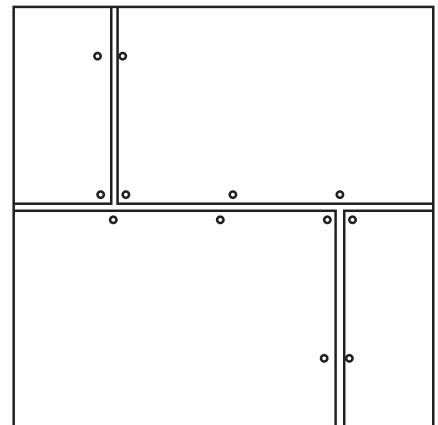
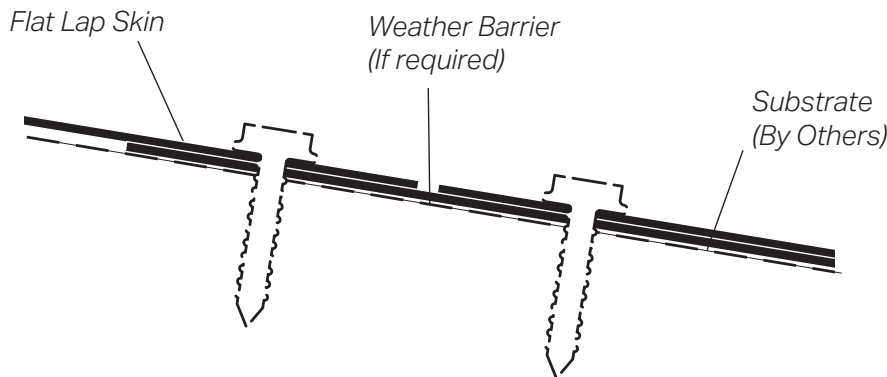
SYSTEM ASSEMBLY

Based on your selected material's standard sheet dimensions, you can select an optimum-sized panel to be lapped over the building's facade to give a shingled or tiled effect. Below are some Zahner's most popular Flat Lap layouts.

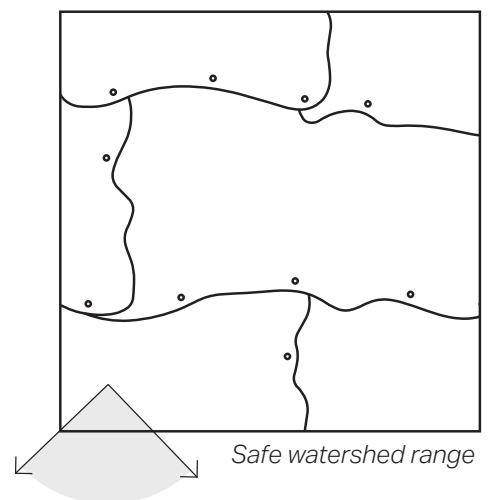
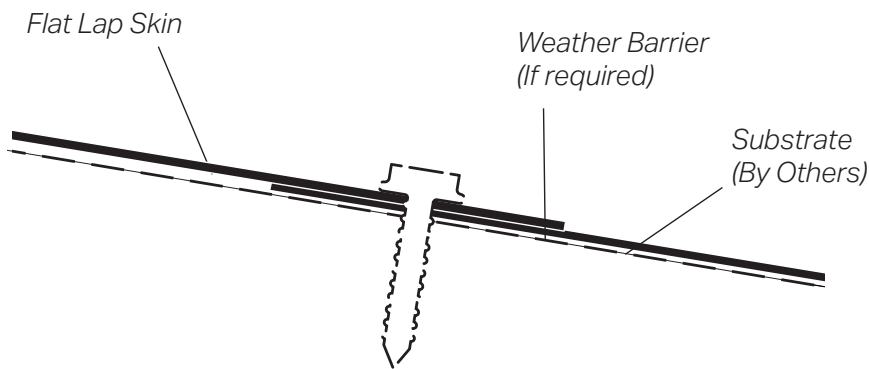
Shingle Layout



Butt Joint Layout



Classic Layout



SYSTEM SPECIFICATIONS

PANEL DIMENSIONS	Visible Length	Visible Width
Max	115.5"	30"

PANELS		
Finish	Base Metal	Min Thickness [ga]
Angel Hair Stainless Steel ↗	SS304 or SS316 Stainless Steel*	0.031" [22 ga]
Fusca Blackened Stainless Steel ↗		
GB-60 Stainless Steel ↗		0.048" [18 ga]
Oscura Blackened Steel ↗	1008A Carbon Steel (Interior Only)	0.036" [20 ga]
Spectura Steel ↗		
Solanum Steel ↗	A606 weathering steel	0.0747" [14 ga]**
Dirty Penny Copper ↗	Copper	0.027" [24 oz]
Star Blue Copper ↗		
Baroque Zinc ↗	Zinc	0.032"
Hunter Zinc ↗		
Roano Zinc ↗		
AAMA 611 Class I Anodizing	5052 H-32 Aluminum	0.04"
2-coat solid color 70% PVDF coating		

* - specifiable attribute

** - 14 ga minimum thickness for exterior applications, 16 ga minimum for interior applications.

Panels will be delivered with raw edges.

If required, project specific engineering analysis can be provided for an added cost.

HOW TO SPECIFY

Download and use [Flat Lap Drawing Set](#) to aid in specifying Flat Lap for your project.

Available at azahner.com/products/flat-lap

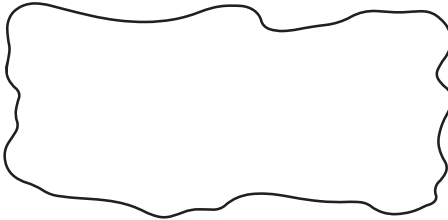
For general consultation or specific questions on product specifications, please contact your Zahner consultation team at azahner.com/contact

1. Determine the size and profile of the panels required for your project.

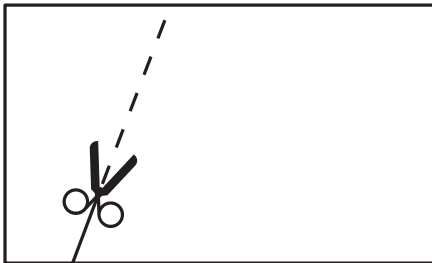
Typical



Custom Profile



2. Determine the layout (see page 2) and number of panels required for your project.



Starter and finishing panels must be cut in-field to fit the project scope.

3. Specify additional sheets for any required flashing, trim, etc. to be formed by others.